

# POE48-120BT-R



## 48W DC-DC Power-over-Ethernet Splitter



### Features

- Compliant with IEEE802.3bt Standard
- Power On LED
- Gigabit Compatible
- Non-Vented Case
- Full Protection Short-Circuit, Over-Current, and Over-Voltage
- Works with any layer 1 IEEE802.3bt Power Sourcing Equipment
- 1-year Warranty

### Applications

- IP Security Cameras
- Information Kiosks
- Thin Clients
- Point of Sales

### Description

The Phihong POE48-120BT-R 48 watt DC-DC Power-over-Ethernet Splitter, is a modern solution device designed to efficiently split power from Ethernet connections, offering versatility and reliability in powering various devices. With its robust 48-watt capacity, it ensures stable power distribution, making it suitable for a wide range of applications.

Phihong's Power-over-Ethernet splitters empower non-PoE ready devices to be powered using PoE infrastructure. This enables powering legacy security cameras with traditional barrel jack I/O connection. Additionally, Phihong PoE splitters support data speeds up to 1G.

Designed for operation to +40 degrees C without derating and up to 10,000 feet altitude, the POE48-120BT-R meets BS EN55032 Class B emissions and BS EN55035 immunity requirements, is approved to IEC 62368-1 and bears the CE and UKCA mark.

## POE48-120BT-R

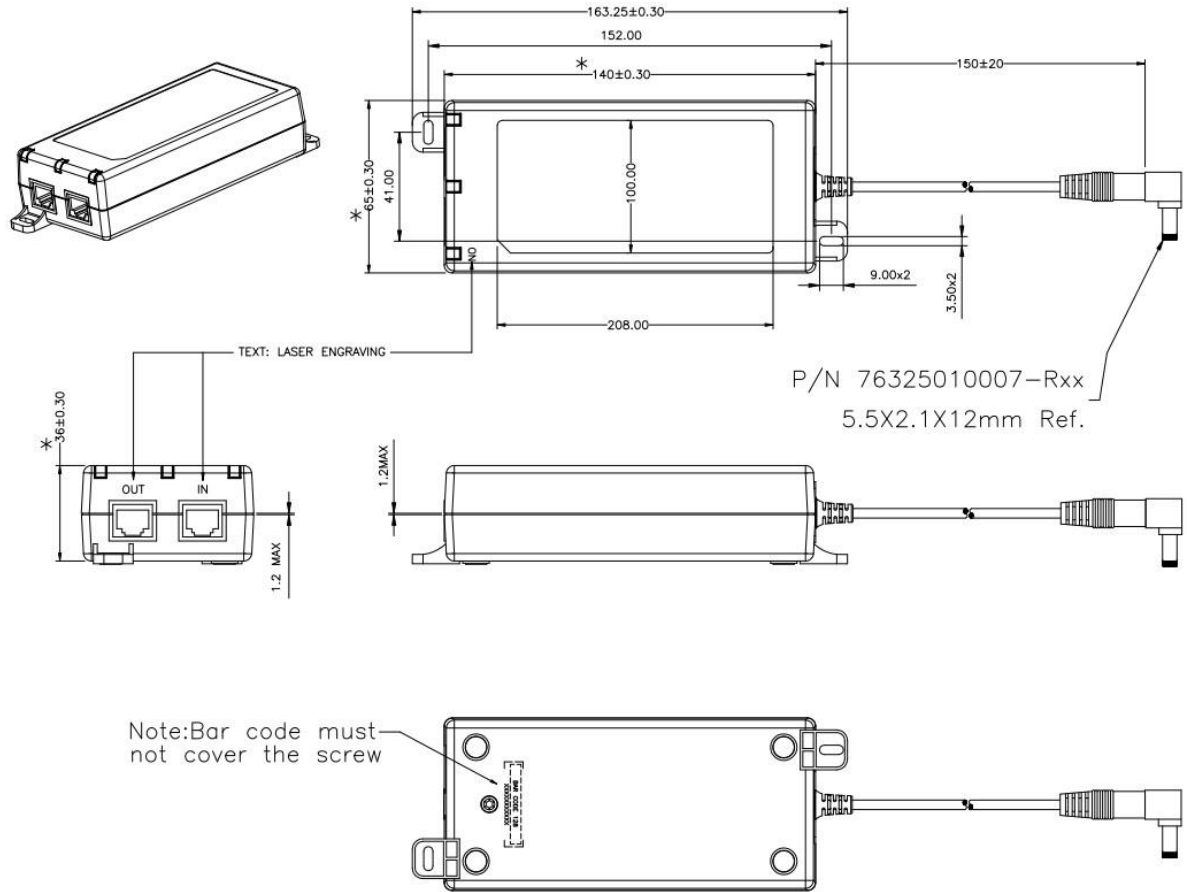
Specifications<sup>1</sup>

	Model	POE48-120BT-R
Output	DC Output Voltage	12.0V
	Max Current	4.0A
	Output Power	48W
	Data Speed	1G
	Regulation	Line and Load $\pm 2\%$
	Ripple & Noise P-P(max) <sup>2</sup>	120mVp-p @ 25C
Input	DC Input Voltage Range	44 – 57 VDC
	Input Current	1.6 Arms maximum
	Efficiency	$\geq 84\%$
Protections	Over-Voltage	16VDC
	Over-Current	>6A to 9A (Hiccup Mode / Auto-Restart), >4A to 6A if output voltage <11.3V
	Short Circuit	Auto-Restart (Hiccup Mode)
Environmental	Operating Temperature	-10°C to +40°C
	Non-Operating Temperature	-20°C to +65°C
	Operating Humidity	5 to 90% RH max
	Operating Altitude	10,000 feet maximum
Safety and EMC Standards	Dielectric Withstand (HI-POT)	Primary to secondary: 2121VDC for 1 second
	Insulation Resistance	Primary to secondary: >10M Ohm 500VDC
	EMI Emissions	EN 55032/CISPR 32 Class B
	Immunity	Applicable EN 55035/CISPR 35: IEC 61000-4-2 (Contact: $\pm 6$ KV, Air: $\pm 8$ KV), IEC 61000-4-3 (3V), IEC 61000-4-4 (0.5kV), IEC 61000-4-6 (3V-1V)
Mechanical	Dimensions (L x W x H)	163.25mm (6.43in) x 65.0mm (2.56in) x 36.0mm (1.42in)
	Weight	0.2Kg (0.44lb)
	Input Connector	2.1mm x 5.5mm x 12mm barrel center positive
	Output Connector	RJ45
	LED Indications	LED Blue "POWER ON"
Notes	<ol style="list-style-type: none"> <li>The specifications defined are at ambient temperature of 25°C, unless otherwise specified.</li> <li>Measured using socket probe across 100uF electrolytic and 0.1uF ceramic capacitors at the barrel connector output.</li> </ol>	

# POE48-120BT-R



## Outline Drawing (mm)



### CODICO GmbH

Zwingenstraße 6-8, 2380 Perchtoldsdorf, Austria  
 Telefon: +43 1 86 305-0, Fax: +43 1 86 305-5000  
 e-mail: office@codico.com, www.codico.com  
 FN 436940i, Landesgericht Wr. Neustadt

Zertifiziert nach ISO 9001:2015